

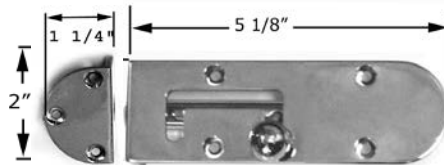


52.518 **Flush Bulwark / Barrel Bolt**
6 3/8" x 2" x 1"
Spring-loaded; Heavy duty
Build in depth: 3/4"
1/2" inch round bolt;
Extending 1 1/8"
316L stainless steel

Strike plate included
1 1/4" x 2" x 1"



#52.518 Bulwark / barrel bolt, spring loaded, with strike; left hand



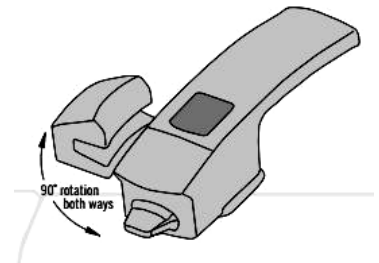
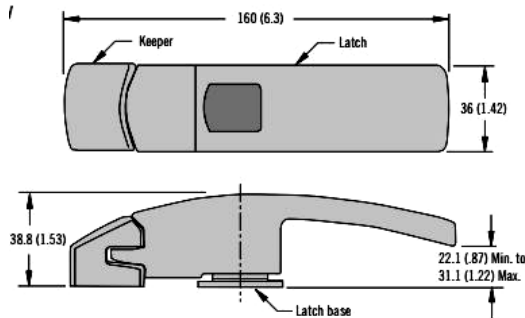
#52.519 Bulwark / Barrel bolt spring loaded with strike; right hand;
Size: 5 1/8" x 2" x 1", Strike 1 1/4" x 2" x 1"



44.55646 **Transom Bolt**
Body: 6.3" x 1.42"
Both Handed
316 stainless steel
Stylish Latch for Transom and Swim Platform doors.

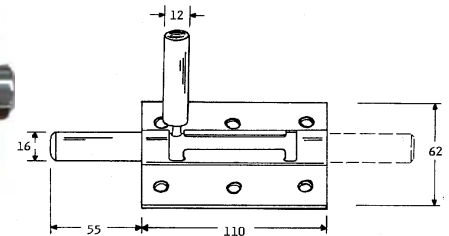
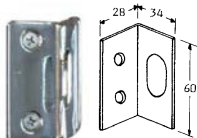


#44.55646 **Transom Bolt / Dive Door Handle**
6.3" x 1.42" Both handed
316 stainless steel

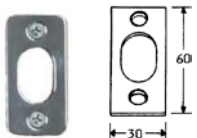


55.206 **Barrel Bolt, heavy duty**
304 stainless steel
Dimensions plate: 62.x 110 mm
Barrel: 16 mm diameter
throw bolt: 55 mm Exterior use

55.207 **Strike angle** 60 x 34 x 28 mm

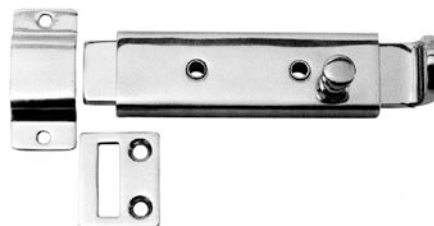


55.208 **Strike flush** 60 x 30 mm



#55.206 Stainless steel barrel bolt plate size: 110 x 62 mm or 4 1/4" x 2 1/2"; Bolt: 16 mm diameter
Finish: Satin or polished 304 stainless steel

44.0604 Transom bolt / barrel bolt;
Size: 4" x 1 1/4" x 1/2"
Throw: 7/8"
316 Stainless Steel



#44.0604 Transom bolt / barrel bolt; Body: 100 X 32 X 12 mm; 4" x 1 1/4" x 1/2";
Throw: 7/8" 316 stainless steel
Strike flush #44.0605; Strike angle #44.0606
EXCELLENT FOR BULWARK DOORS

44.0605 #44.0605 #44.0606



- Stylish latch for transom and swim platform doors
- Intuitive operation with push button and turn handle actuation
- Premium finish and corrosion resistance

Material and Finish:

Handle, Keeper, Base button and Sleeve: 316 grade stainless steel electropolished

Keeper insert: Nylon black

O-ring: EPDM natural

Screw, Spring and Nut: 304 Stainless steel passivated

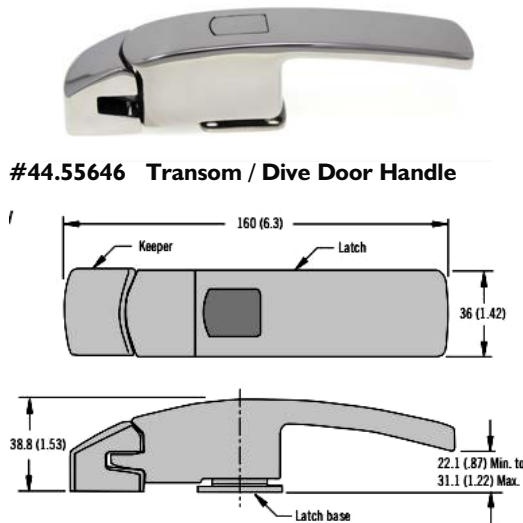
Installation Notes

Fine tuning latch and keeper alignment:

To increase the height of the latch by 3.75mm (.0156 inch), rotate the base of latch 90 degrees clockwise

To decrease the height of the latch by 3.75 (.0156), rotate the base of latch 90 degrees counter clockwise

For every 360 degree turn, the height adjusts 1.5 (.0625)



Install by unscrewing base and adjust height

#44.55646 Transom Bolt / Transom Dive Door Handle
Body: 5.3" x 1.42" Both handed; 316 stainless steel
Medium Duty see page 5-5-1 A and 5-5-1-B for other designs





Izerwaren
Order
numbers
44.2909

- High quality barrel bolts

Barrel bolt:
Overall: 133 X 38 X 19 mm;
5 1/4" x 1 1/2" x 3/4"; Throw: 1 1/8"



44.2909 Transom bolt / barrel bolt 5 inch; 316 stainless steel
Overall: 133 X 38 X 19 mm; 5 1/4" x 1 1/2" x 3/4"; Throw: 1 1/8"

44.5455

Barrel bolt:
Overall: 110 X 38 X 19 mm;
4 3/8" x 1 1/2" x 3/4"; Throw: 1"
316 stainless steel



44.5455 Transom bolt / barrel bolt 4 3/8 inch; 316 stainless steel
Overall: 110 X 38 X 19 mm; 4 3/8" x 1 1/2" x 3/4"; Throw: 1"

92.080

Barrel Bolt, light duty
Dimension plate:
50 x 36 mm or 2 x 1 7/16"
Barrel: 10 mm diameter or 3/8"
throw bolt: 32 mm; 1 1/4"
304 stainless steel



#92.080; small barrel bolt with strike plate; plate size: 50 x 36 mm 2" x 1 7/16";
strike: 30 x 36 mm; 1 3/16" x 1 7/16"; throw: 1 1/4". 304 stainless steel

92.2080

Barrel Bolt, light duty
Dimension plate: 80 x 22 mm
Barrel: flat 12 x 2.5 mm
throw bolt: 20 mm; 3/4"
304 stainless steel



#92.2080 barrel bolt with strike; body: 80 x 22 mm; throw: 20 mm. 3/4 inch
304 stainless steel

92.081

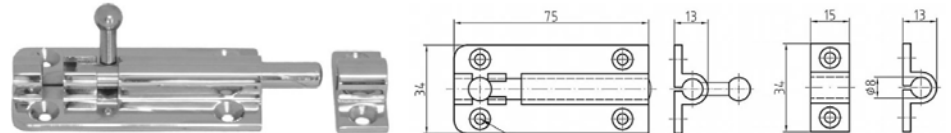
Barrel Bolt, light duty
316 Stainless steel
5" x 1" overall
Bolt: 1/4"; Throw: 1/2"



#92.981 Barrel Bolt; 5" x 1" Bolt: 1/4" diameter; Throw: 1/2" 316 stainless steel

92.2105

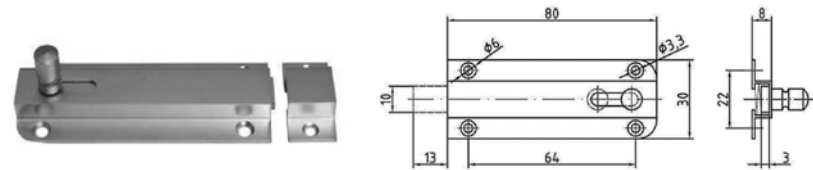
Barrel Bolt, light duty
brass chrome plated
34 x 75 mm
Bolt: 8 mm; Throw: 13 mm



92.2105; Brass chrome plated barrel bolt; 34 x 75 mm; throw: 13 mm

92.3002

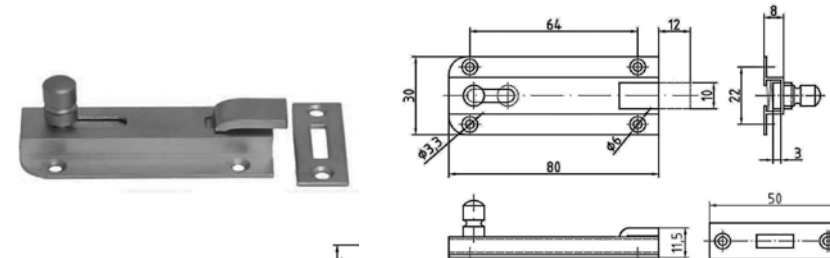
Barrel Bolt, light duty
Brass chrome plated
30 x 80 mm
Bolt flat; Throw: 13 mm



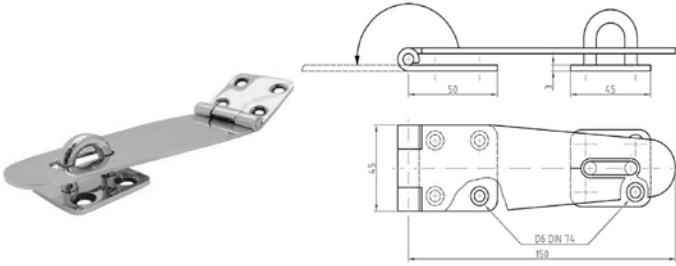
92.3002; Brass chrome plated barrel bolt; 30 x 80 mm; throw: 13 mm

92.3102

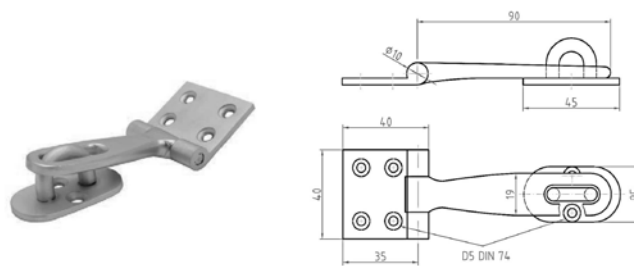
Barrel Bolt, light duty
Brass chrome plated
30 x 80 mm
Bolt offset 8 mm; Throw: 13 mm



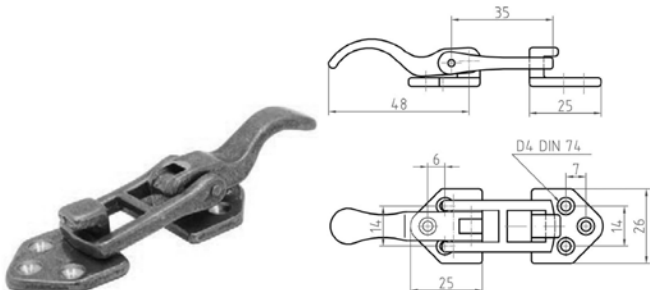
92.3102; Brass chrome plated barrel bolt offset; 30 x 80 mm; throw: 13 mm



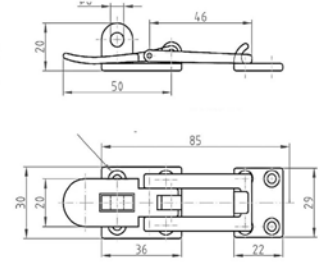
#46.570 Hasp with strike plate 45 x 150 mm (1 3/4 x 5 7/8 inch) Chrome plated.



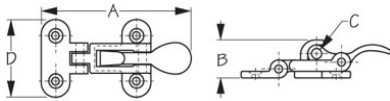
#46.572 Hasp with strike plate 40 x 90 Chrome plated brass



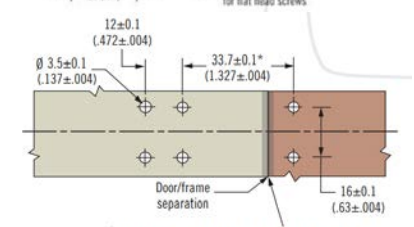
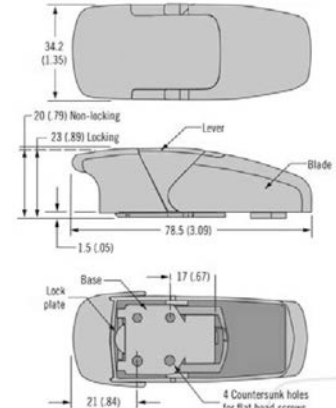
#46.576 Hasp with strike plate; size 95 x 26 mm Chrome plated brass



#46.577 Hasp with hook plate Size: 26 x 85 mm Chrome plated brass

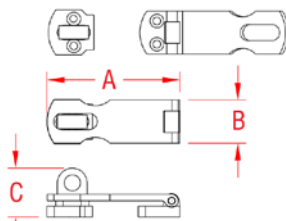


#46.579 Hasp locking model 316 Stainless Steel. A=3 inch; 77 mm; B= 3/4 inch; 19 mm; C= 1/4 inch; 6 mm; D=1 1/2 inch; 38 mm.

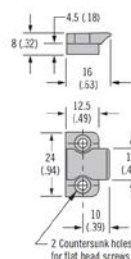


*Gasket recommended to accommodate panel variations

Installation Drilling Pattern for Draw Latch
 34.2 x 78.5 x 20 mm high; 316 Stainless Steel Mirror Polished.



#46.3853 Safety Hasp. A= 3 inch; B= 1 inch; C= 1.16 inch Medium Duty. 316 stainless steel.



#46.V7201 Hasp or Draw Latch. 3.09 inch x 1.35 inch x 0.79 inch. 34.2 x 78.5 x 20 mm high; 316 Stainless Steel Mirror Polished.



Izerwaren
Order
numbers

- 316 Stainless steel slam latch with lift ring
- sea water resistant
- slam action when closing
- strike included
- finish: Lift ring polished stainless steel 316; body and cam: satin finish

SLAM LATCH WITH LIFT RING

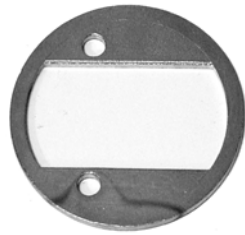
Polished 316 stainless steel



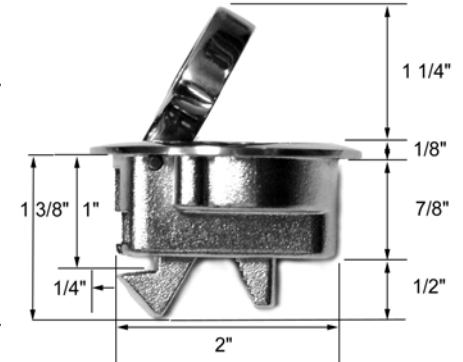
- 43.F01 **Slam latch for hatches**
Set: latch, mounting ring with screws; strike.
Diameter: 2 3/8"
Built in diameter: 2"
Material thickness: from 1/4" up to 13/16"
Spring loaded slam action on latch bolt
- 43.F02 **Slam latch for hatch, locking with key**

Slam latch #43.F01

Installation body: Drill hole: 2" Ø



Mounting ring; 2 3/8" diameter



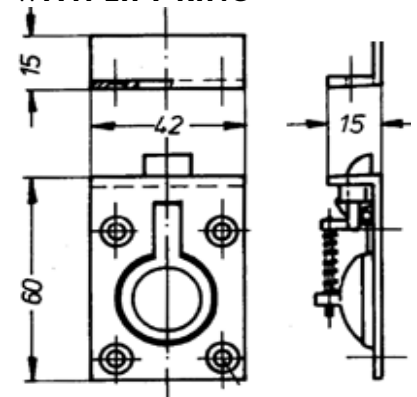
#43.F01 Slam latch

SLAM LATCH WITH PULL



- #43.831S Flush Slam latch, Pull type. Anchor style lift ring; strike plate included. **Pull Out** to release.
Dimensions: 61 mm long (A) x 58 mm wide (C) x 19 mm deep (D). Door thickness: 19 mm
Dimensions: 2 7/16" (A) x 1 1/2" (B) x 2 1/4" (C) x 3/4" (D) Door thickness: 3/4"
316 stainless steel Satin Finish

SLAM LATCH WITH LIFT RING



Pull to release

- #46.108 Flush Pull Lift with latch Dimension: 60 x 42 x 15 mm;
Angle strike 15 x 15 x 42 mm; Door thickness: 5/8" or 15 mm

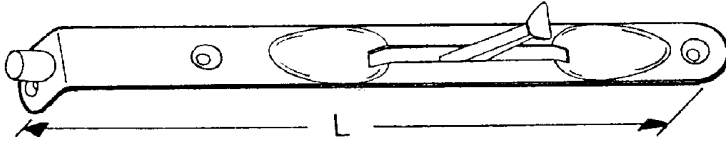


Izerwaren
Order
number

- High quality flush bolts
- Finish: Satin or polished stainless steel
- Brass flush bolts:
 - Finish: polished brass (un-lacquered)
 - polished chrome plated brass
 - satin chrome plated brass
 - custom finish

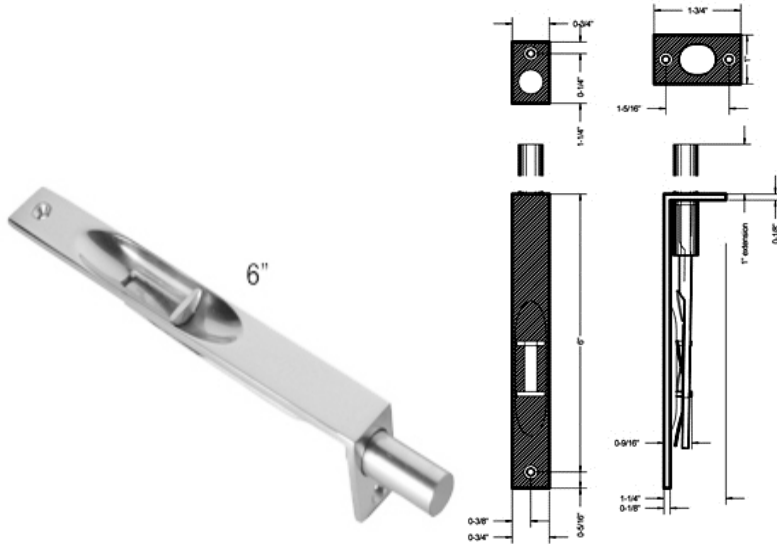


#55.509 304 stainless steel flush bolts size: 20 x 250 mm; depth: 50 mm
Positive locking in open and closed position



#55.509 Flush bolt size: 20 x 250 mm (3/4" x 9 7/8")

- 55.509 **Flush Bolt, heavy duty stainless steel**
304 stainless steel
Dimensions: 20 mm x 250 mm,
depth: 50 mm; throw: 15 mm
Finish: Satin or polished stainless steel
- 55.524 **Flush Bolt, heavy duty stainless steel**
304 stainless steel
Dimensions: **20 mm x 400 mm**
depth: 50 mm; throw: 15 mm
Finish: Satin or polished stainless steel



#55.264 Flush Bolt, medium duty; brass, with some steel parts
Operates by push lever; NOT positive locking
Dimensions: 18 mm x 152 mm; depth: 33 mm; throw: 25 mm
Flush bolt 3/4"x 6"; depth: 1 5/16"; throw: 1" Bolt diameter.
Finish: polished brass and polished or satin chrome; interior use

- 55.264 **Flush Bolt, medium duty**
brass, with some steel parts
Operates by push lever; not positive locking
Dimensions: 18 mm x 152 mm;
depth: 33 mm; throw: 25 mm
(3/4" x 6" x 1 5/16"; throw: 1")
Finish: polished or satin chrome
interior use



#55.668 series flush bolt 3/4"x 6"; depth: 1 5/16"; throw: 5/8;
Solid brass with stainless steel pins and springs.
Positive locking in open or closed position
Marine grade.

- 55.668 **Flush Bolt, medium duty**
brass, with stainless steel parts
Positive locking in open or closed position
Dimensions: 18 mm x 152 mm;
depth: 33 mm; throw: 15 mm
(3/4" x 6" x 1 5/16"; throw: 5/8")
Finish: polished or satin chrome



#55.3251 flush bolt 102 x 15 mm; polished brass Bolt: 8 mm diameter
#55.3252 flush bolt 102 x 15 mm; polished chrome Throw: 14 mm
Operates by push lever; not positive locking

- 55.3251 **Flush Bolt, light duty brass**
- 55.3252 **Flush Bolt, light duty chrome**
Operates by push lever; not positive locking
Dimensions:
15 x 102 mm, polished brass
15 x 102 mm, polished chrome
Bolt: 8 mm diameter, throw: 14 mm